

ASSEMBLY INSTRUCTIONS

DEXTRO PLUS

- NOTE: All our desktops have a standard hole pattern to mount all our furniture lines. However, you only need 4 inserts to mount the top to the base. These show themselves when you place the sheet on the frame. The other inserts in the frame are fixed with the supplied wood screws.

WARNING: FAILURE TO COMPLY WITH OR OBSERVE ALL ASSEMBLY, SAFETY AND OPERATION INSTRUCTIONS AND WARNINGS REGARDING THE USE OF THIS PRODUCT MAY RESULT IN SERIOUS BODILY INJURY.

Important information

Read the entire instruction manual before you can start installation and assembly.

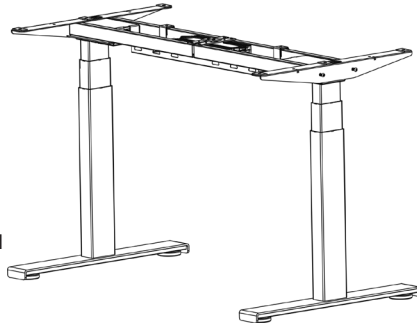
This product is not intended for use by young children without supervision.

This product is intended for indoor use only. Using this product outdoors could lead to product failure and personal injury.

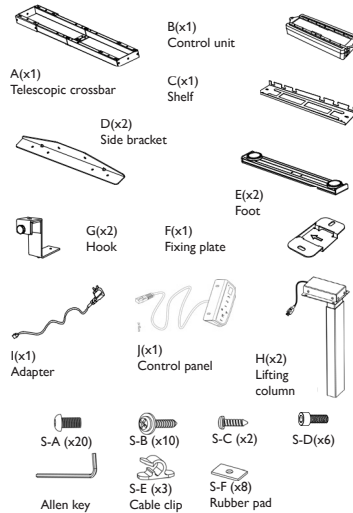
Important: Ensure that you have received all parts according to the component checklist prior to installation. If any parts are missing or faulty, telephone your local distributor for a replacement.

Do not stand on this product, do not use this desk as a step ladder.

Do not use this product unless all bolts, screws and knobs are properly tightened. Failure to heed these warnings could result in serious injury.

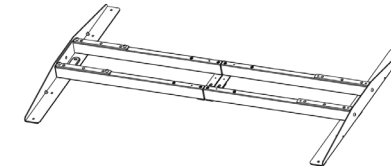
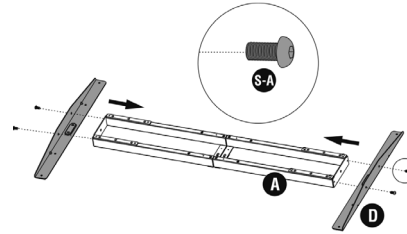


COMPONENTS

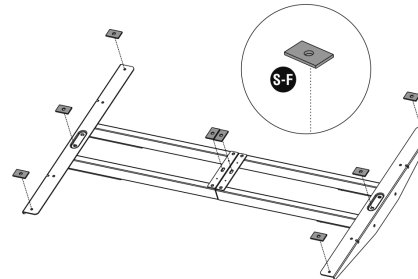


1- Assembling the frame

- Attach the two side brackets to the two ends of the frame using four screws as shown and tighten all screws with an Allen key.

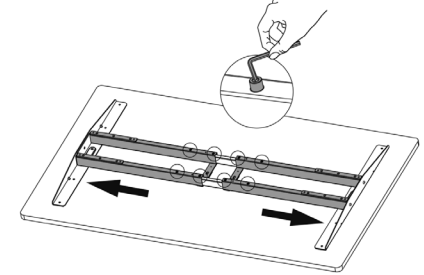


- Remove the protective films from the adhesive rubber pads.
- Stick the rubber pads to the frame.

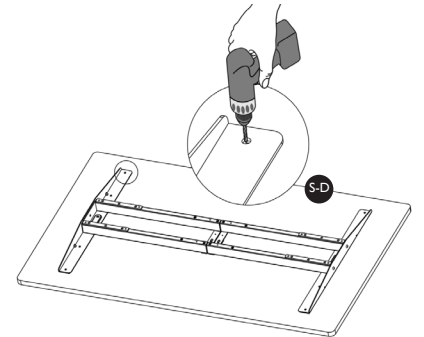


2- Assemble tabletop

- Put the frame on the tabletop
- Loosen the eight screws using the Allen key.
- Adjust the frame length to suit the desktop.
- Retighten all screws to secure.

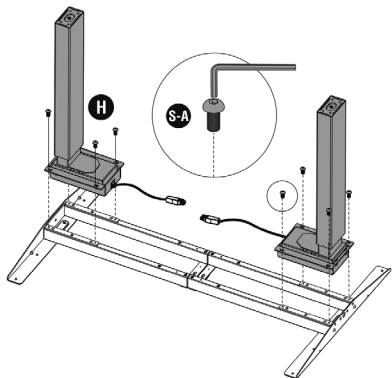


- The inserts are already in the desktop. There are more inserts than needed because the tabletop is used for multiple desks.
- Fasten the blade and frame with the supplied screws.



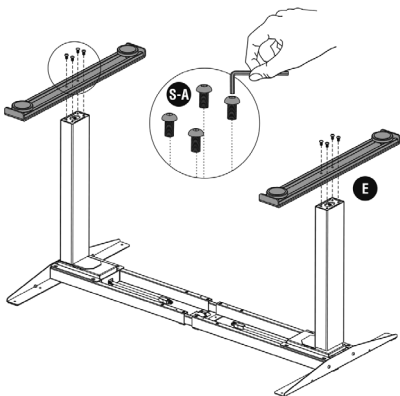
3- Assembling the lifting columns

- Attach the lifting columns to the assembled frame using the eight screws and tighten all screws with the Allen key.



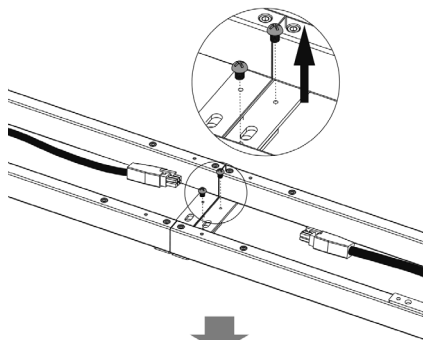
4- Installing the feet

- Place the feet on the columns as shown.
- Insert the screws as shown and tighten them.

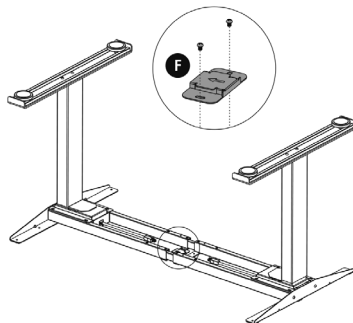


5- Installing the fixing plate

- Remove the screws in the center part of the crossbar as shown.

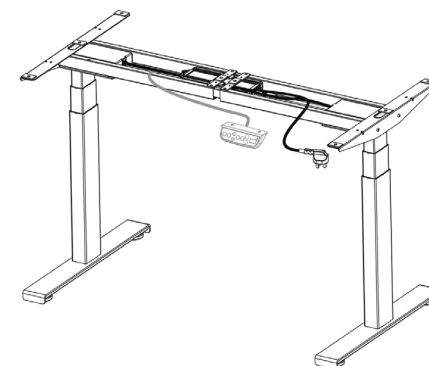
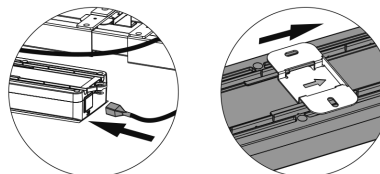
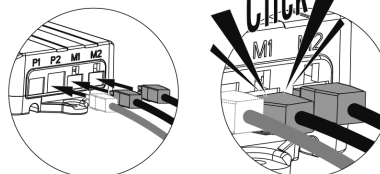
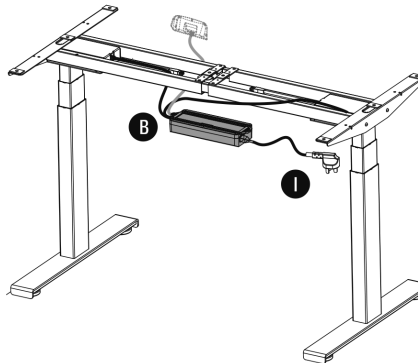


- Attach the fixing plate to the frame using the two removed screws and tighten all screws with a proper screwdriver.



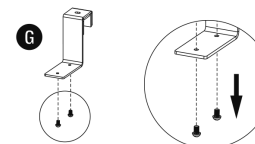
6- Installing the control unit

- Connect all the wires to the control unit as shown below, then slide the control unit to the fixing plate.

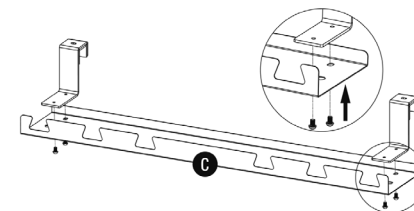


7- Installing the cable management shelf

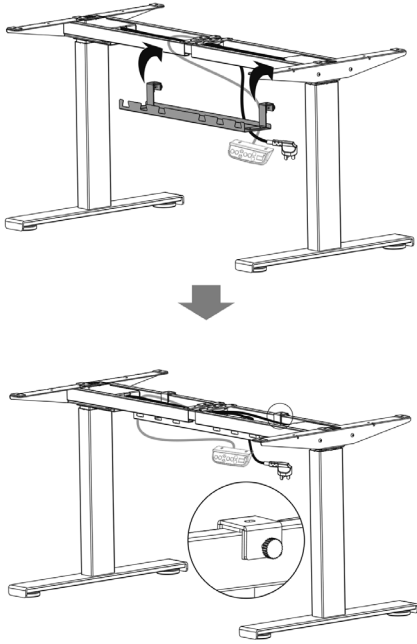
- Loose and remove the screws with a proper screwdriver.




- Fix the hooks to the shelf with removed screws, tighten all the screws.

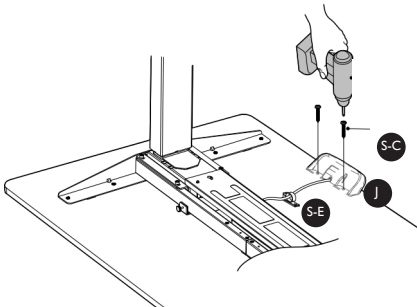


- Hang the cable management shelf into the frame as shown below.
- Tighten all the screws on the hooks



8- Installing the control panel

- Screw the control panel at the desktop as shown below. 
- Add the cable clip to organize the wires.
- Connect the power.



9- Level the desk

- Turn the desk on its legs.
- Don't do this alone, ask for help.
- You can level the desk with the adjustable feet.

