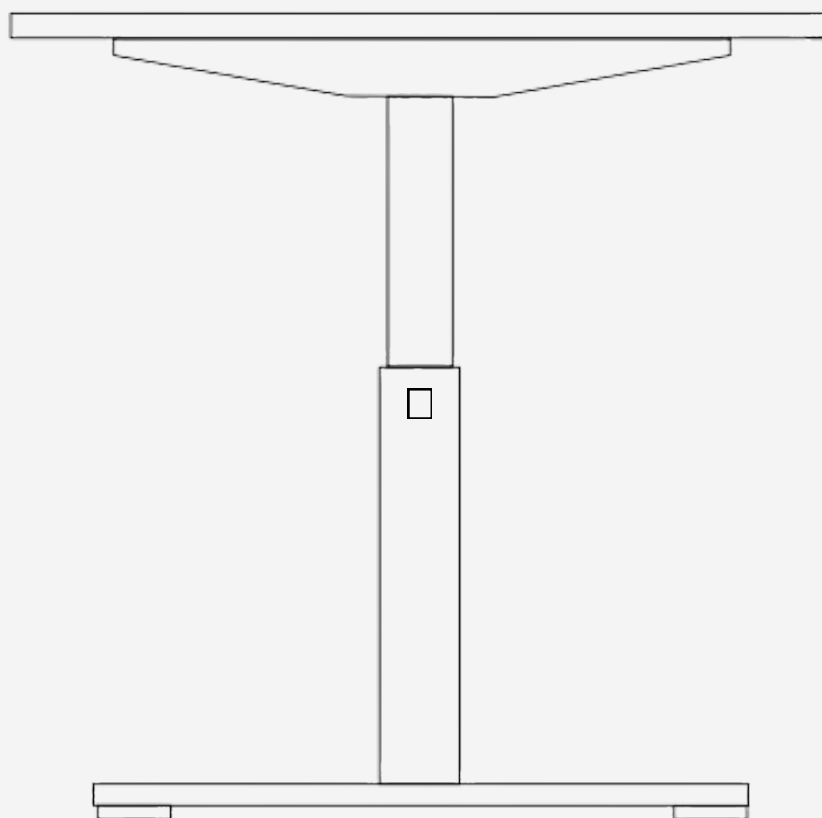


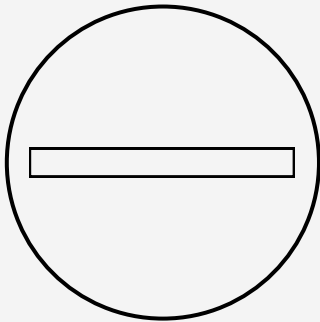
ADAM
CRADLE

Assembly & Use instructions

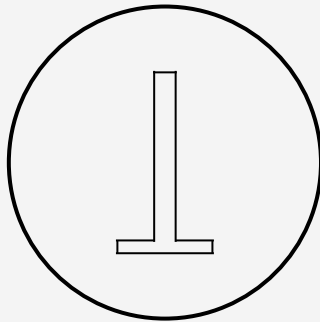
Oliver Flex



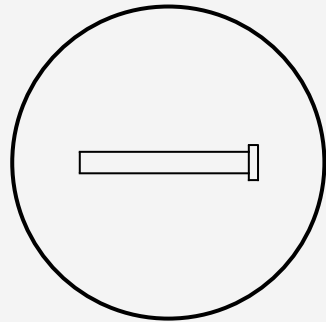
Tools



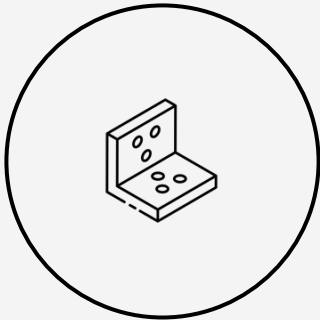
1X TABLE TOP



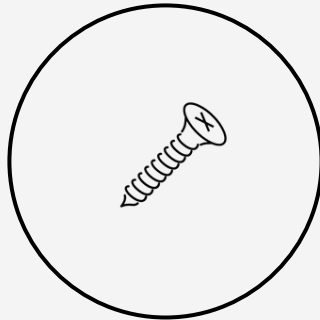
2X LEG



1X INTERMEDIATE BEAM



1X BEAM SUPPORT

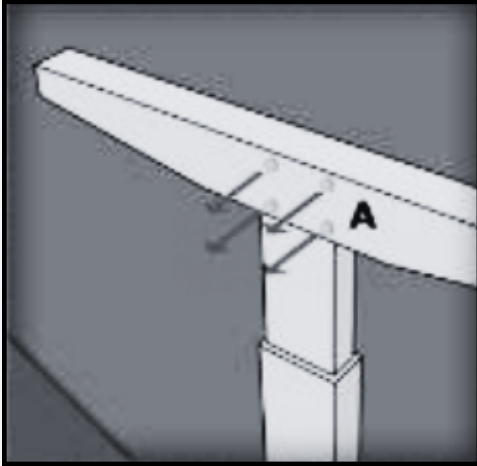


6X SCREW



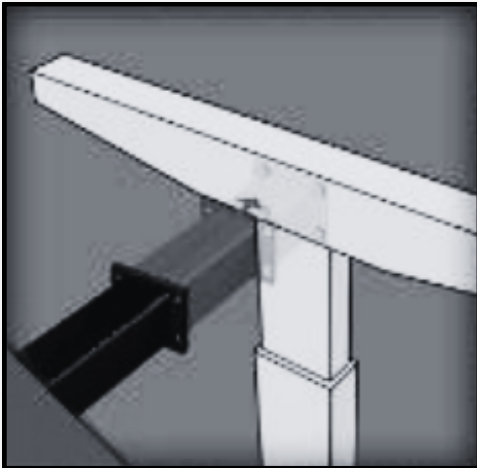
1X SCREW DRIVER

(Not included)



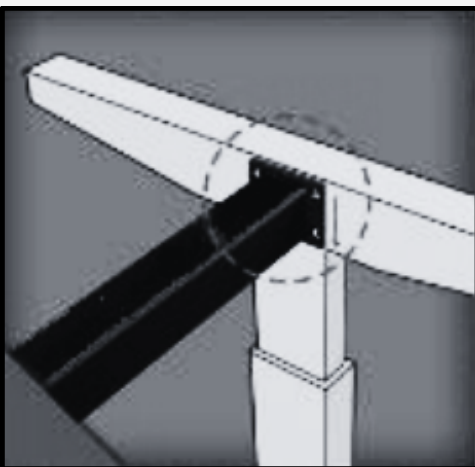
STEP 1

Place a leg down and loosen the screws slightly so that there is some space between them.



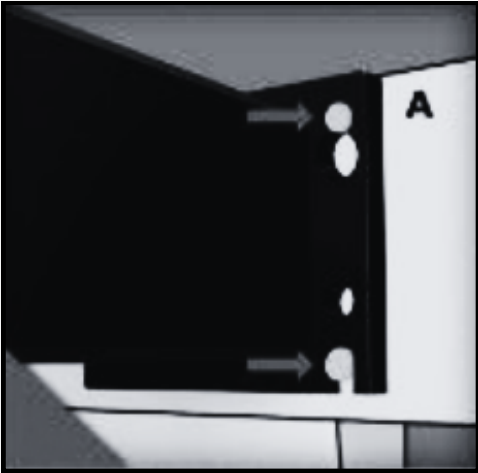
STEP 2

Attach the intermediate beam to the leg.



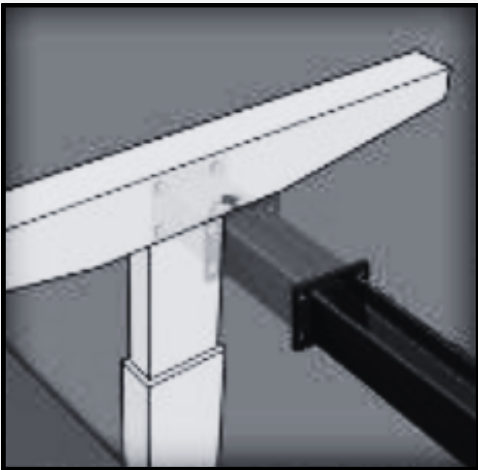
STEP 3

Slide the bar down slightly through the larger opening.



STEP 4

This is the final position. Tighten the screws.



STEP 5

Then repeat this with the other leg.



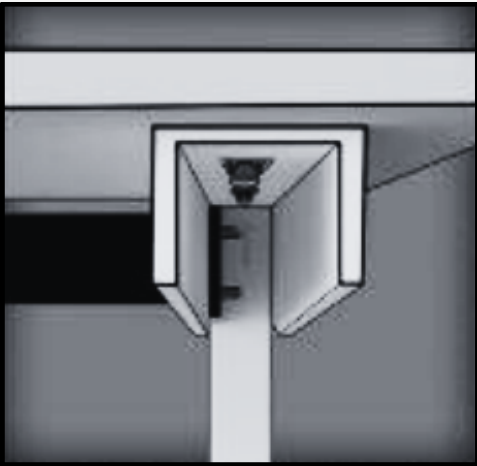
STEP 6

Install the intermediate beam support on the center of the beam.



STEP 7

The intermediate beam support should look like this.



STEP 8

Screw the table top to both legs.
